

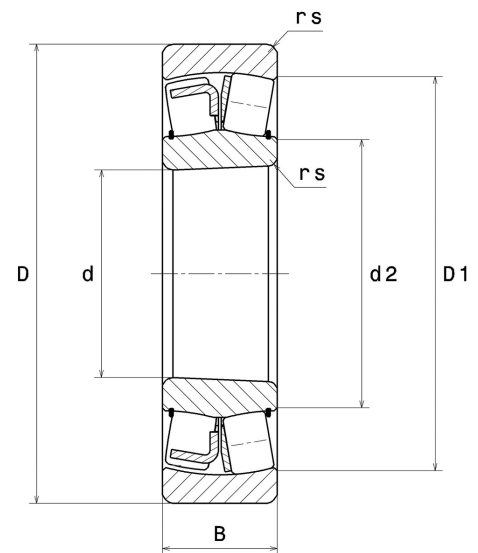
## PDF technical sheet 21309VKC3



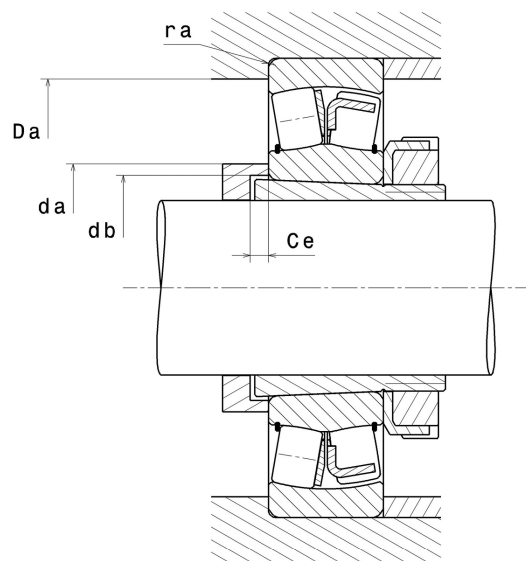
### Double row spherical roller bearings

Spherical roller bearing, pressed steel cage, tapered bore 1:12

Product definition	
d	1.7717 "
D	3.9370 "
B	0.9843 "
d2	2.3504 "
D1	3.3150 "
rs min	0.0591 "
Number of lubrication holes	
Associated sleeve reference	H309
e	0.26
Y1	2.64
Y2	3.93
Y0	2.58
Radial clearance class	C3
Mass	3.30 oz
Brand	SNR



Product performance	
Dynamic load, C	125 kN
Static load, C0	106 kN
Fatigue limit load, Cu	13.90 kN
Nref	5,800 RPM
Nlim	8,400 RPM
Min operating temperature, Tmin	-40 °C
Max operating temperature, Tmax	392 °C
Characteristic cage frequency, FTF	0.41 Hz
Characteristic rolling element frequency, BSF	5.54 Hz
Characteristic outer ring frequency, BPF0	5.79 Hz
Characteristic inner ring frequency, BPF1	8.21 Hz



### Abutment dimensions

da min	2.1260 "
Da max	3.5827 "
ra max	0.0591 "

### Calculation factors

#### Equivalent dynamic radial load

$$P = X.F_r + Y.F_a$$

Fa / Fr ≤ e		Fa / Fr > e	
X	Y	X	Y
1	Y1	0.67	Y2

#### Equivalent static radial load

$$P_0 = X_0.F_r + Y_0.F_a$$

X <sub>0</sub>	Y <sub>0</sub>
1	Y0

The values for e, Y1, Y2 and Y0 are shown in the above table .