

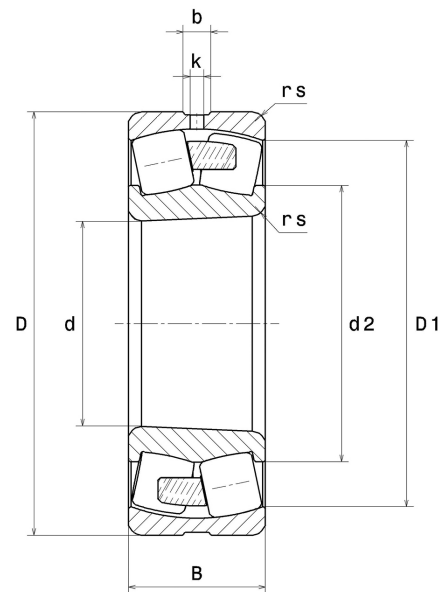
## PDF technical sheet 22332EMKW33



### Double row spherical roller bearings

Spherical roller bearing, one-piece machined cage, groove and lubrication holes on outer ring, tapered bore 1:12

Product definition	
d	6.2992 "
D	13.3858 "
B	4.4882 "
d2	8.6220 "
D1	11.6220 "
rs min	0.1575 "
Number of lubrication holes	3
b	0.7992 "
k	0.3937 "
Associated sleeve reference	H2332
e	0.33
Y1	2.03
Y2	3.02
Y0	1.98
Radial clearance class	CN
Mass	176.37 oz
Brand	SNR



Product performance	
Dynamic load, C	1,950 kN
Static load, C0	2,210 kN
Fatigue limit load, Cu	158 kN
Nref	1,400 RPM
Nlim	1,900 RPM
Min operating temperature, Tmin	-40 °C
Max operating temperature, Tmax	392 °C
Characteristic cage frequency, FTF	0.41 Hz
Characteristic rolling element frequency, BSF	5.33 Hz
Characteristic outer ring frequency, BPF0	6.58 Hz
Characteristic inner ring frequency, BPF1	9.42 Hz



### Abutment dimensions

da min	6.9685 "
db min	6.8504 "
Ce min	0.3150 "
Da max	12.7165 "
ra max	0.1181 "

### Calculation factors

#### Equivalent dynamic radial load

$$P = X.Fr + Y.Fa$$

Fa / Fr ≤ e		Fa / Fr > e	
X	Y	X	Y
1	Y1	0.67	Y2

#### Equivalent static radial load

$$P_0 = X_0.Fr + Y_0.Fa$$

X <sub>0</sub>	Y <sub>0</sub>
1	Y0

The values for e, Y1, Y2 and Y0 are shown in the above table .