

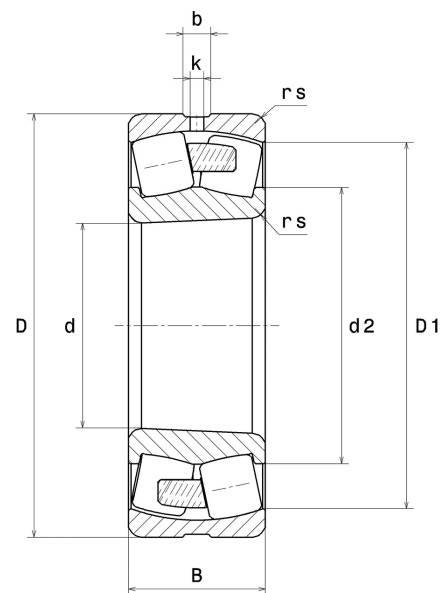
## PDF technical sheet 23032EMKW33



### Double row spherical roller bearings

Spherical roller bearing, one-piece machined cage, groove and lubrication holes on outer ring, tapered bore 1:12

Product definition	
d	6.2992 "
D	9.4488 "
B	2.3622 "
D1	8.6693 "
rs min	0.0827 "
Number of lubrication holes	3
b	0.4134 "
k	0.1969 "
Associated sleeve reference	H3032
e	0.21
Y1	3.2
Y2	4.77
Y0	3.13
Radial clearance class	CN
Mass	33.09 oz
Brand	SNR



Product performance	
Dynamic load, C	748 kN
Static load, C0	1,000 kN
Fatigue limit load, Cu	85.10 kN
Nref	2,400 RPM
Nlim	2,900 RPM
Min operating temperature, Tmin	-40 °C
Max operating temperature, Tmax	392 °C
Characteristic cage frequency, FTF	0.45 Hz
Characteristic rolling element frequency, BSF	8.99 Hz
Characteristic outer ring frequency, BPF0	11.14 Hz
Characteristic inner ring frequency, BPF1	13.86 Hz



### Abutment dimensions

da min	6.7008 "
Da max	9.0472 "
ra max	0.0787 "

### Calculation factors

#### Equivalent dynamic radial load

$$P = X.F_r + Y.F_a$$

Fa / Fr ≤ e		Fa / Fr > e	
X	Y	X	Y
1	Y1	0.67	Y2

#### Equivalent static radial load

$$P_0 = X_0.F_r + Y_0.F_a$$

X <sub>0</sub>	Y <sub>0</sub>
1	Y0

The values for e, Y1, Y2 and Y0 are shown in the above table .